

Phoenix

Multifunction-Wheelchair

*Tilting adjustment
infinitely variable!*



ref.no. 350.30.40



adjustable headrest

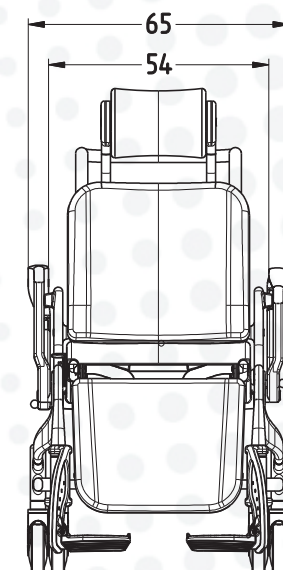
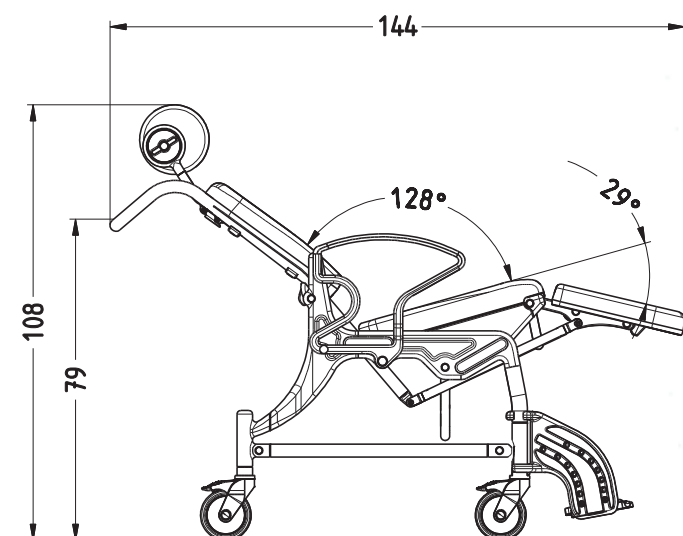
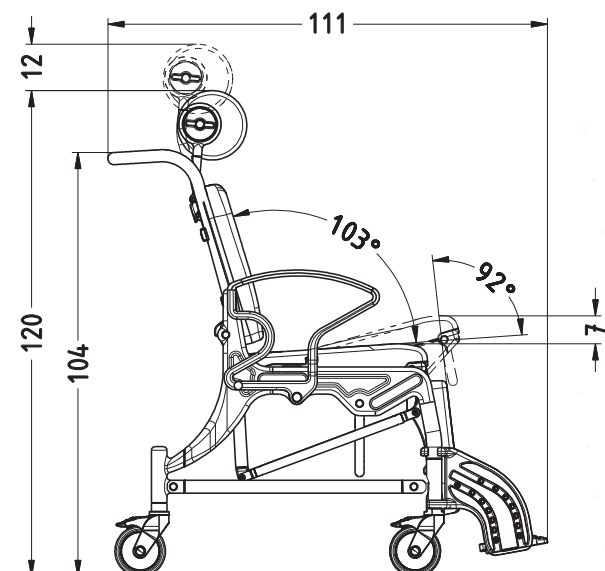


swinging armrest



lever lock for reclining

All dimensions in cm.



Equipment:

- adjustable headrest
- tilting adjustment
- swinging armrest
- 4 braked 5-inch swivelling castors
- approved up to 150 kg body weight

Phoenix

- seat with hygiene opening
- incl. bucket and bucket device

ref. no. 350...10

Phoenix

- seat without hygiene opening

ref. no. 350...40

Colour	Colourcode
grey/grey	03
grey/black	10
grey/fire-red	30
grey/rubin-red	44
grey/blue	54

Type:	Phoenix	Phoenix
depth:	111 cm	
width:	65 cm	
seat depth:	43 cm	
seat height:	58 cm	57 cm
seat width:	54 cm	
weight:	29,3 kg	28,8 kg
max. body weight:	bis 150 kg	
ref. no.:	350...10	350...40